

(12) INTERNATIONAL APPLICATION PUBLISHED UNDER THE PATENT COOPERATION TREATY (PCT)

(19) World Intellectual Property Organization
International Bureau



(43) International Publication Date
24 June 2004 (24.06.2004)

PCT

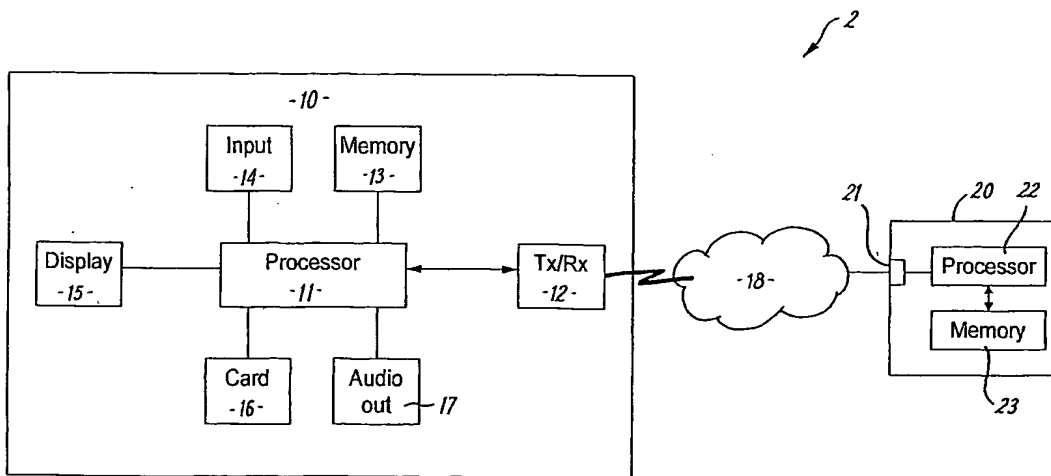
(10) International Publication Number
WO 2004/054298 A1

- (51) International Patent Classification⁷: H04Q 7/32, 7/22, 7/38
- (74) Agent: HIGGIN, Paul; Swindell & Pearson, 48 Friar Gate, Derby DE1 1GY (GB).
- (21) International Application Number: PCT/TB2002/005311
- (81) Designated States (national): AE, AG, AL, AM, AT, AU, AZ, BA, BB, BG, BR, BY, BZ, CA, CH, CN, CO, CR, CU, CZ, DE, DK, DM, DZ, EC, EE, ES, FI, GB, GD, GE, GH, GM, HR, HU, ID, IL, IN, IS, JP, KE, KG, KP, KR, KZ, LC, LK, LR, LS, LT, LU, LV, MA, MD, MG, MK, MN, MW, MX, MZ, NO, NZ, OM, PH, PL, PT, RO, RU, SC, SD, SE, SG, SK, SL, TJ, TM, TN, TR, TT, TZ, UA, UG, US, UZ, VC, VN, YU, ZA, ZM, ZW.
- (22) International Filing Date: 11 December 2002 (11.12.2002)
- (25) Filing Language: English
- (26) Publication Language: English
- (71) Applicant (for all designated States except US): NOKIA CORPORATION [FI/FI]; Keilalahdentie 4, FIN-02150 Espoo (FI).
- (84) Designated States (regional): ARIPO patent (GH, GM, KE, LS, MW, MZ, SD, SL, SZ, TZ, UG, ZM, ZW), Eurasian patent (AM, AZ, BY, KG, KZ, MD, RU, TJ, TM), European patent (AT, BE, BG, CH, CY, CZ, DE, DK, EE, ES, FI, FR, GB, GR, IE, IT, LU, MC, NL, PT, SE, SI, SK, TR), OAPI patent (BF, BJ, CF, CG, CI, CM, GA, GN, GQ, GW, ML, MR, NE, SN, TD, TG).
- (72) Inventors; and
- (75) Inventors/Applicants (for US only): PEDERSEN, Claus [DK/DK]; Nordmarksvaenget 44, Dk-2625 Vallensbaek (DK). DJELOGIRY, Hossein [DK/DK]; Kirkeleddet 428, DK-3480 Fredensborg (DK).

Published:
— with international search report

[Continued on next page]

(54) Title: TRANSFER OF PERSONAL DATA



(57) Abstract: A system comprises a first mobile device, for initiating the transfer of a personal collection of data and/or settings from the first mobile device to a remote server, a server for setting up sessions and storing collections of data and/or settings; and a second mobile device, for initiating the transfer of the personal collection of data and/or settings from a storage location in the server to the second mobile device. The first mobile device comprises first transceiver means arranged to transmit an initiation message to the server for initiating the setting-up of a session between the server and the first mobile device, by the server, for the transfer of a personal collection of data and/or settings between the device and the server. The second mobile device comprises first transceiver means arranged to transmit an initiation message to the server for initiating the setting-up of a session between the device and the server, by the server, for the transfer of the collection of personal data and/or settings between the device and the server.

WO 2004/054298 A1